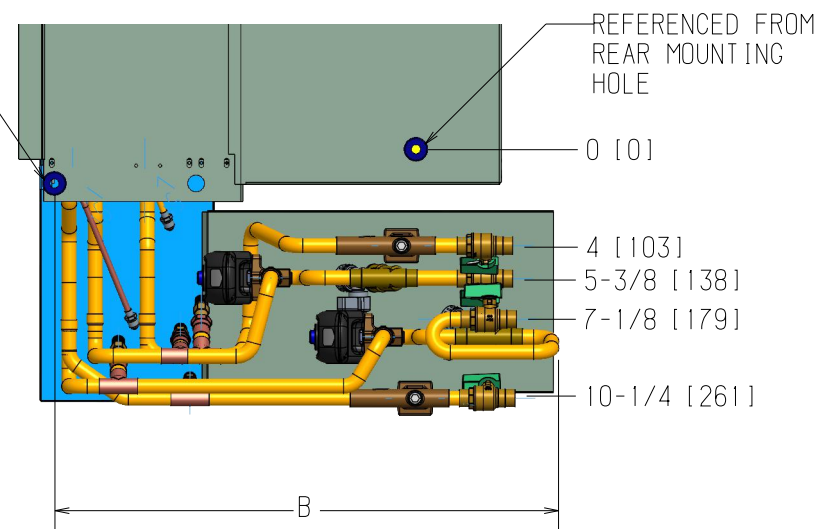
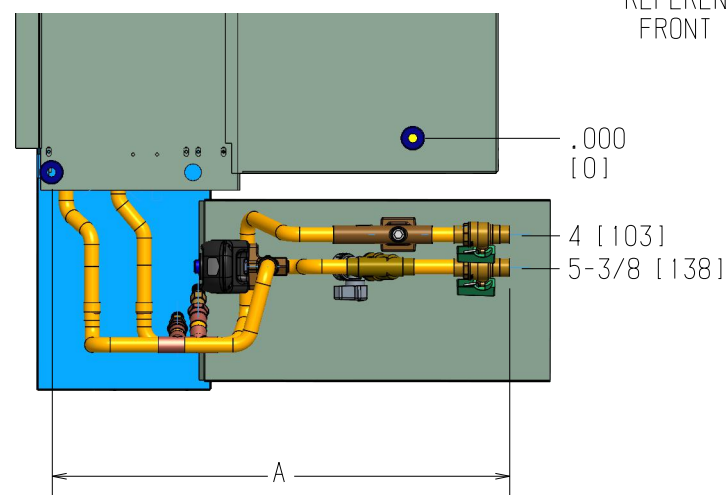


REVISION HISTORY		
REV	DATE	ECN
-	05/01/18	18-0608
A	01/20/22	22-0054
B	12/18/24	24-1298

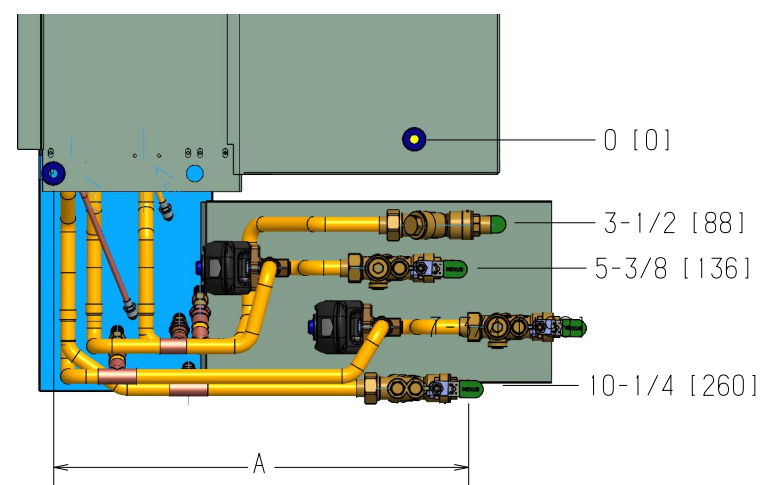
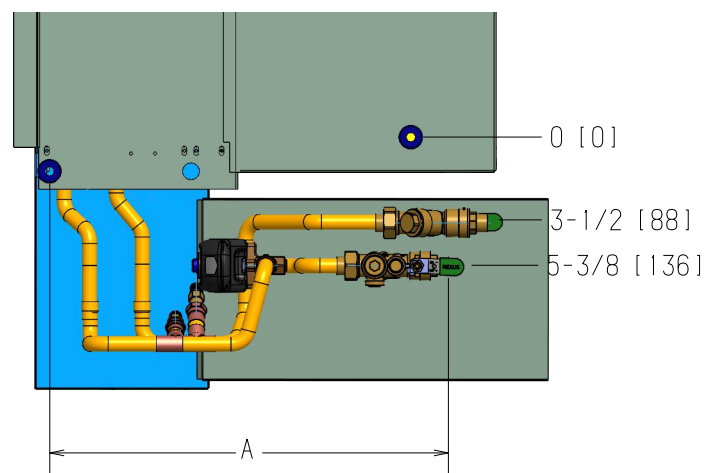
2 PIPE HEATING/COOLING

4 PIPE HEATING/COOLING

STANDARD VALVE PACKAGE



COMBO VALVE PACKAGE



**PARTIAL TOP VIEW OF CP/HP UNITS**

DIMENSIONS - INCHES AND (MILLIMETERS)		
	A	B
NO COMBO VALVES		
3 WAY ON/OFF COOL	19 1/8 (486)	
3 WAY ON/OFF HEAT	19 1/4 (489)	21 1/8 (537)
3 WAY MODULATING COOL	19 1/8 (486)	
3 WAY MODULATING HEAT	19 1/4 (489)	21 9/16 (548)
2 WAY ON/OFF COOL	19 1/8 (486)	
2 WAY ON/OFF HEAT	19 1/4 (489)	21 1/8 (537)
2 WAY MODULATING COOL	19 1/8 (486)	
2 WAY MODULATING HEAT	21 1/8 (537)	21 9/16 (548)
COMBO VALVES		
SUPPLY/RETURN		
3 WAY ON/OFF COOL	17 5/16 (440) / 19 1/4 (489)	NA COMBO VLV CONNECTION DOES NOT EXCEED DISTANCE "A"
3 WAY ON/OFF HEAT	20 7/8 (530) / 19 1/4 (489)	
3 WAY MODULATING COOL	19 1/8 (486) / 18 1/16 (459)	
3 WAY MODULATING HEAT	20 7/8 (530) / 20 7/8 (530)	
2 WAY ON/OFF COOL	18 1/4 (464) / 16 5/8 (422)	
2 WAY ON/OFF HEAT	21 5/8 (549) / 17 3/8 (441)	
2 WAY MODULATING COOL	19 3/16 (487) / 16 5/8 (422)	
2 WAY MODULATING HEAT	19 7/16 (494) / 18 13/16 (477)	

NOTES:

1. ALL DIMENSIONS ARE ± 1/4" (6.3 MM)
2. 2 WAY WITH ON/OFF 150 PSI SHOWN FOR REFERENCE ONLY
3. COMPONENT LOCATION AND ACCESS MAY VARY



TITLE			
VALVE PACKAGE SUPPLEMENT C*Y			
DWC NO			REV
1100-90041802			B
DRAWN	DATE	APPROVED	DATE
J. FUSON	03/19/20	S. STOTTS	03/19/20